

# BLAZING™

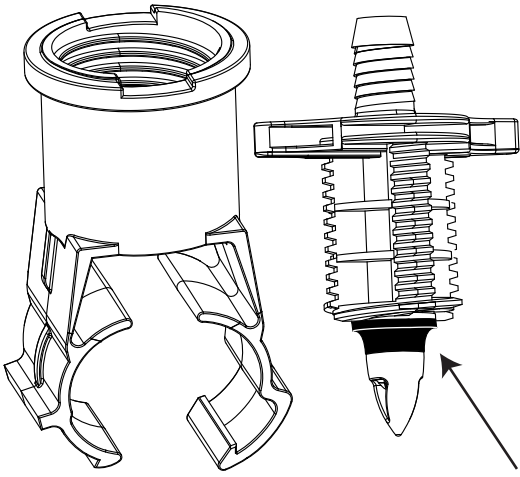
INSTALL FASTER.

# BS 7PVC, 8PVC, & 9PVC

1" PVC by 1/2" FPT

1" PVC by 3/4" FPT

1" PVC by Swing  
Pipe Barb



Rubber Grommet seals spike to pipe

### Dimensions (installed):

#### BS 9PVC:

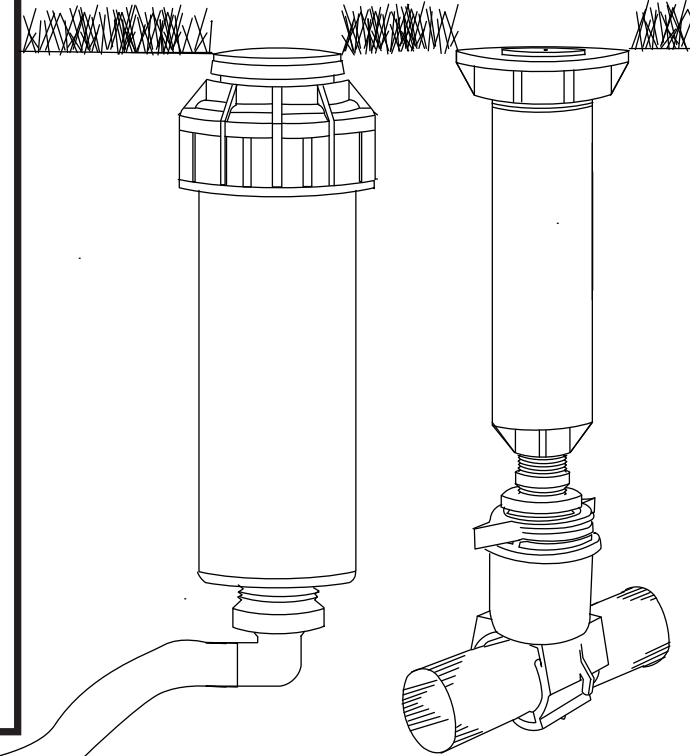
- 4.23 inches - bottom of saddle to top of swing pipe barb
- 2.75 inches - top of pipe to top of swing pipe barb
- 2.60 inches at widest point

#### BS 7PVC & 8PVC:

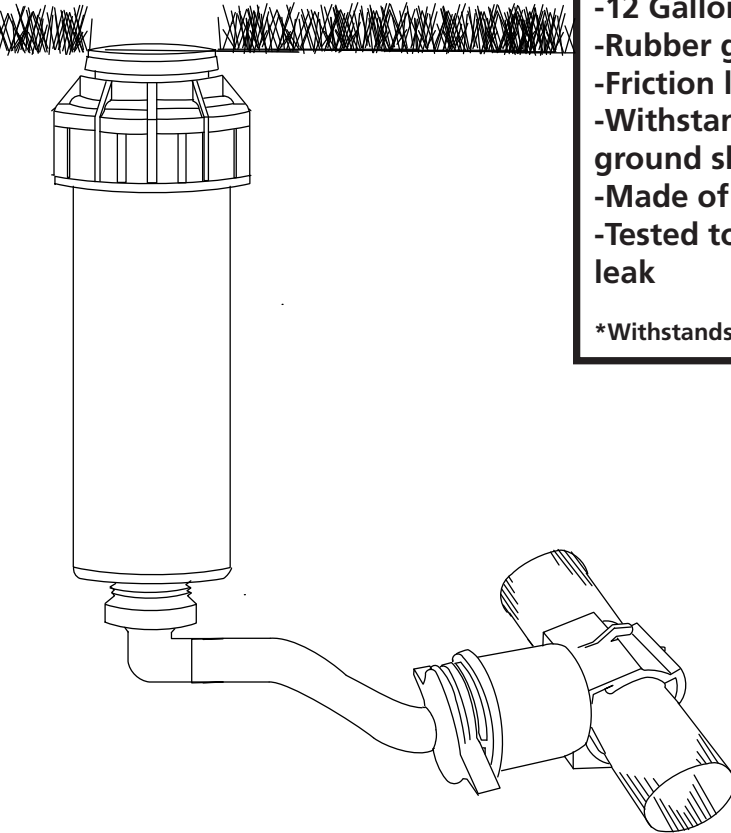
- 3.30 inches - bottom of saddle to top of spike
- 1.7 inches - top of pipe to top of spike
- 2.60 inches at widest point

- For use on 1" Class 160 or 200 PVC pipe\*
- 7 Gallons per minute at 40 PSI
- 12 Gallons per minute at 60 PSI
- Rubber grommet seals spike to pipe
- Friction loss equivalent of 3 ft of pipe
- Withstands repeated freeze/thaw cycles and ground shift & sheering
- Made of high grade ABS material
- Tested to over 1 million on/off cycles without a leak

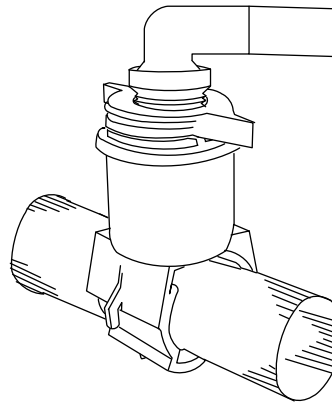
\*Withstands over 900 PSI without a leak. Pipe will burst first.



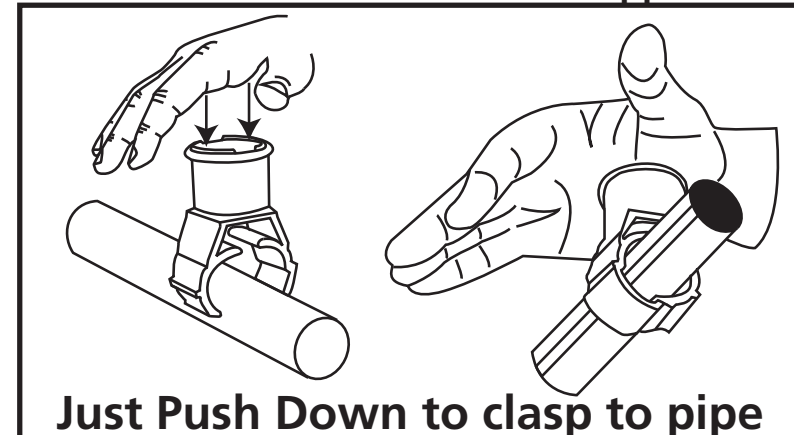
BS 8PVC with 3/4" to  
1/2" Riser Application



BS 9PVC should be mounted horizontal



BS 7PVC with Swing  
Pipe Fitting Application



Just Push Down to clasp to pipe