

**Dimensions (installed):**

**BS 9000:**

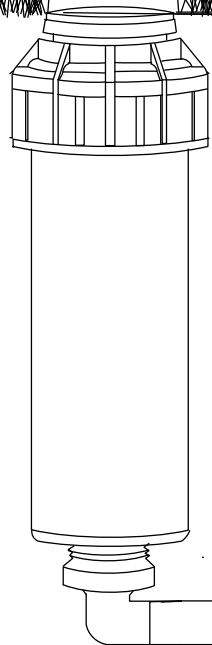
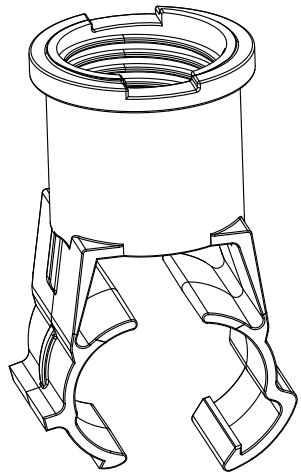
- 4.1 inches - bottom of saddle to top of swing pipe barb
- 2.75 inches - top of pipe to top of swing pipe barb
- 2.60 inches at widest point

**BS 7000 & 8000:**

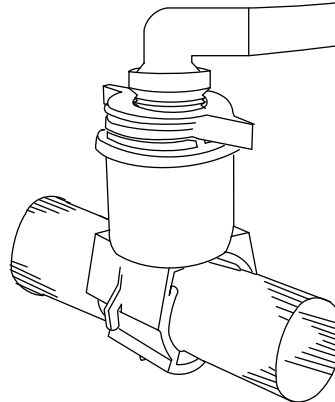
- 3.21 inches - bottom of saddle to top of spike
- 1.7 inches - top of pipe to top of spike
- 2.60 inches at widest point

- For use on 1" 80# or 100# polyethylene pipe\*
- 7 Gallons per minute at 40 PSI
- 12 Gallons per minute at 60 PSI
- 40% less friction loss than insert fittings
- Friction loss equivalent of 3.8 ft of pipe
- Withstands repeated freeze/thaw cycles and ground shift & sheering
- Made of high grade ABS material
- Tested to over 1 million on/off cycles without a leak

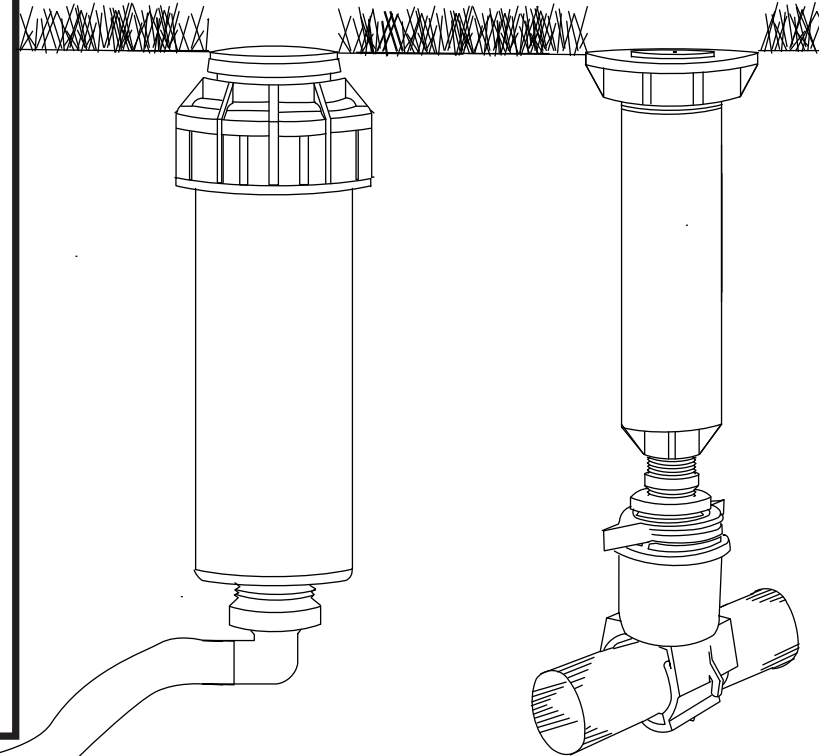
\*Withstands over 400 PSI without a leak. Pipe will burst first.



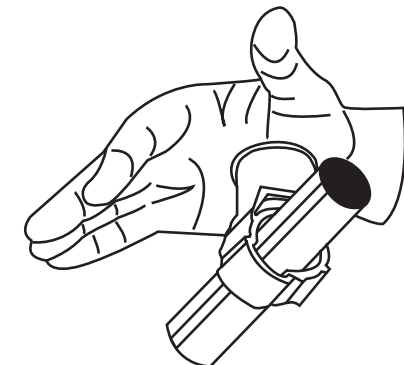
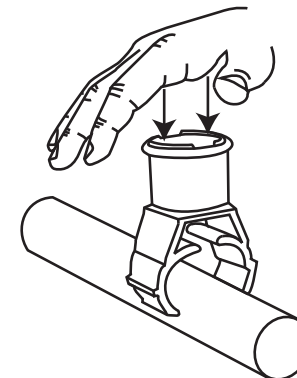
BS 9000 should be mounted horizontal



BS 7000 with Swing Pipe Fitting Application



BS 8000 with 3/4" to 1/2" Riser Application



Just Push Down to clasp to pipe