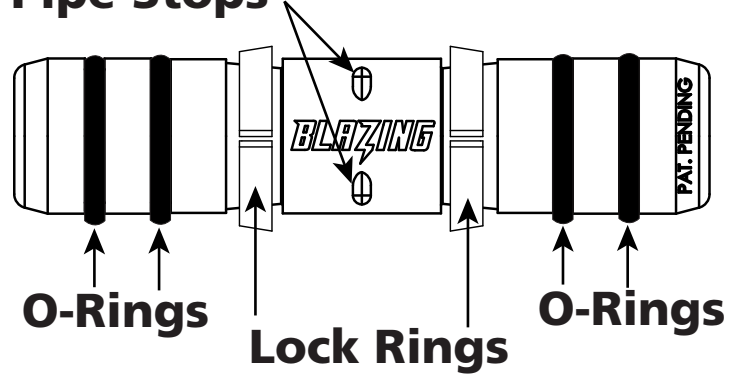
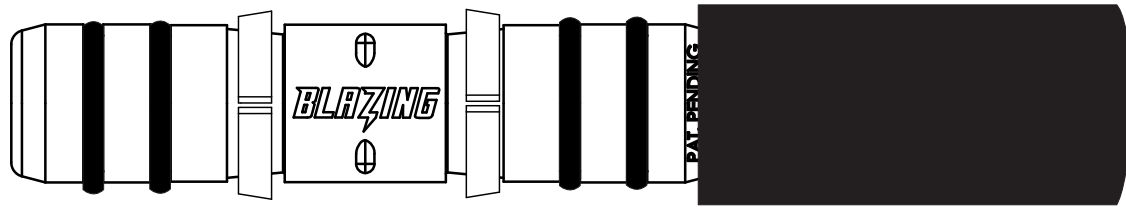
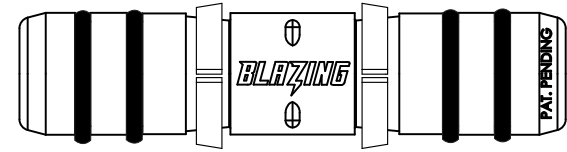


Pipe Stops

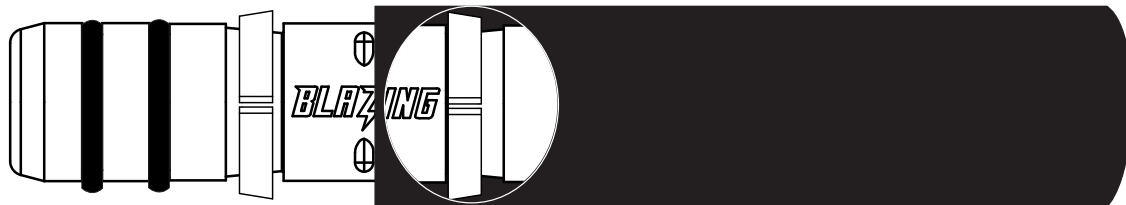


BLZ 1429-010

1" Poly Coupler



Push Pipe onto Coupler. Push pipe over the O-Rings and the Lock Ring. Push pipe all the way to the Pipe Stops. Repeat on other side.



- For use on 1" 80# or 100# NSF polyethylene pipe
- Over 400 PSI without a leak. Pipe will burst first.
- Withstands repeated freeze/thaw cycles and ground shift & sheering
- Made of high grade ABS material
- Reuseable if ALL O-Rings and Lock Rings are replaced.

Dimensions:

- 1. Outer Diameter:** 26.42 mm (1.04 inches)
- 2. Interior Diameter:** 19.43 mm (.765 inches)
- 3. Length:** 116.0 mm (4.567 inches)
- 4. End To Pipe Stops:** 57.65 mm (2.27 inches)

