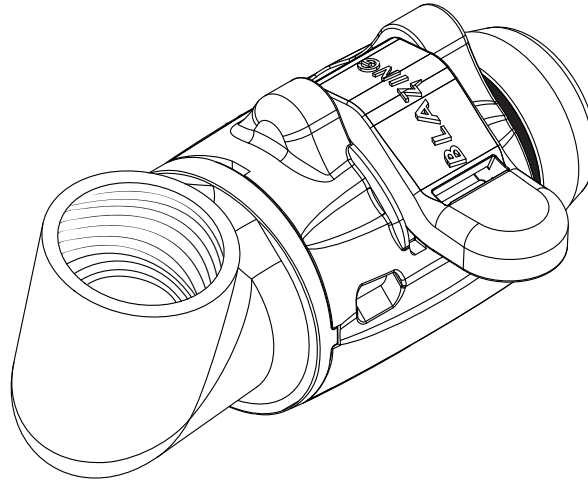




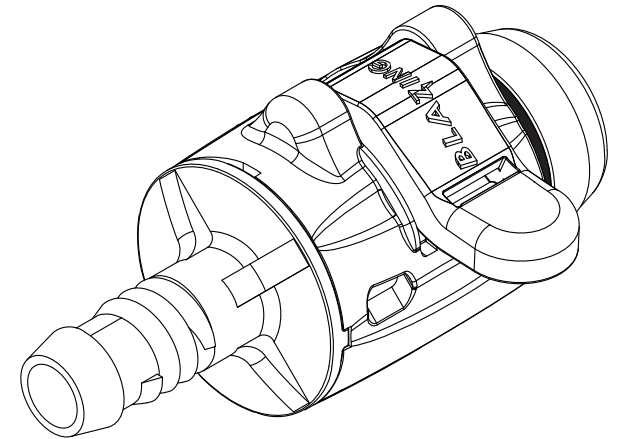
EL 1007

1" poly by 1/2" FPT



EL 1009

1" poly by Swing Pipe Barb



Double O-Ring Seal prevents leaking

Lever Locks onto Pipe for Secure Hold

Excess of 50,000 On/Off Cycles at 120 PSI Water Hammer Without Failure

No Clamps, Tools or Extra Fittings

Slips on Pipe Easier and Quicker than Insert Fittings

Windows on Body Allow for Visual Confirmation that Fitting is Fully Seated on Pipe

