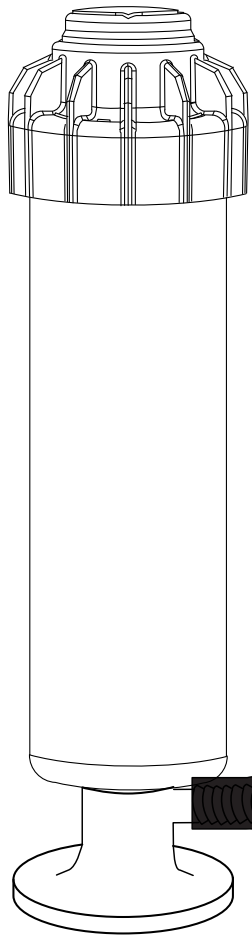


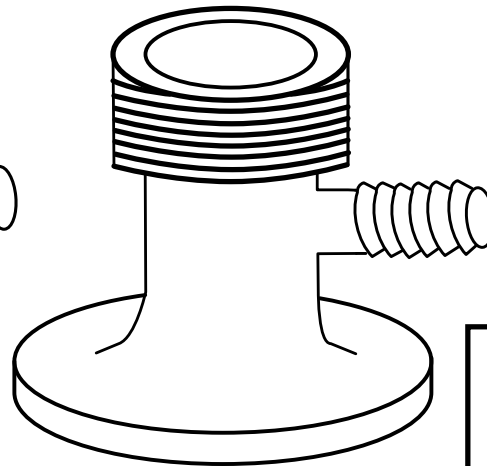
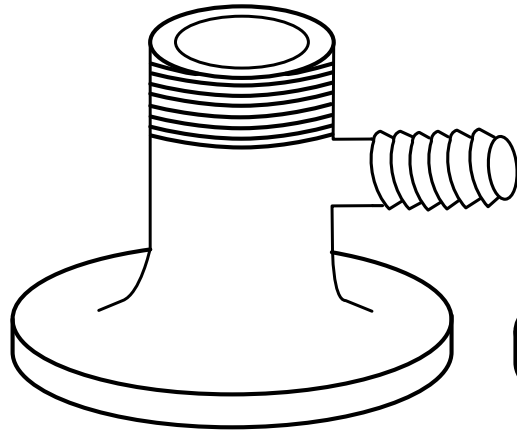
**BLAZING**<sup>™</sup>  
INSTALL FASTER.

# FP 1800, FP 1900

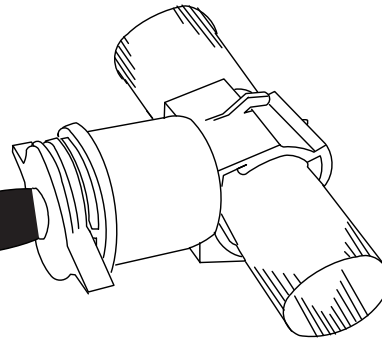
1/2" MPT X Swing Pipe Barb, 3/4" MPT X Swing Pipe Barb



FP 1800

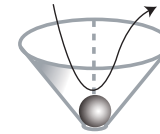


FP 1900

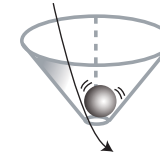


- Withstands 1500 PSI of Static Pressure
- **Do Not Use Pipe Dope During Assembly (Teflon Tape Only)**
- Ball Valve Seals Above 10-15 PSI
- Ball Valve Releases Below 10-15 PSI
- No Gravel Pit Required to Aid Drainage
- Made of High Grade ABS Material

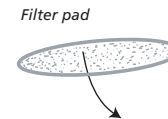
## Exclusive patented ball-valve design drains more gradually than competing drains:



*The interior waterway is funnel-shaped. As the irrigation system is pressurized, a precision-ground EPDM ball "dances" in the water flow, creating the drain's characteristic **turbulent flushing action** - flushing out any sediment as the valve closes.*

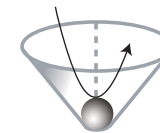


*When the irrigation system pressure is off, the EPDM ball is raised up on three ridges inside the funnel, and water is gradually released.*



*Filter pad*  
*Drains directly to soil - no gravel sump necessary*

*Released water passes through the patented recessed wicking pad as the soil and plant material absorb the water. The recessed wicking pad - non-woven polyester - protects the drain from rocks and roots.*



*System pressure resumes. Ball reseats in new orientation - a natural benefit of using a sphere - and drain valve closes. No diaphragm to wear, and guaranteed performance for the life of the sprinkler system.*

**Valve gradually releases water - avoiding soggy patches in grass.**