

Blazing Fast Fittings™

Clampless™

BLAZING

INSTALL. FASTER.



Specifications Sheet



Fast Fitting Specs

- Max Operating Pressure: 80 PSI for #80 pipe; 100 PSI for #100 pipe; 160 PSI for #160 pipe.
- Suggested Operating Pressure: 10-80 PSI
- Burst Pressure: Exceeds 450 PSI (This product is not intended to be used on Main Lines or under constant pressure)
- Body Material: ABS
- Lock Ring Material: Proprietary
- O-Ring Material: EPDM
- Flow Rates are comparable to traditional insert fittings.
- Friction Loss is comparable to traditional insert fittings.

Fully Tested

- Tested to pressures over 400 PSI and put through vigorous on/off cycling in excess of 250,000 cycles.
- Blazing Products has field tested all Fast Fittings with contractors throughout the United States. Fast Fittings are not intended to be used on Main Lines or under constant pressure. Over time, pipes under constant pressure expand, reducing the amount of pressure the lock ring is applying to the pipe.

Warranty Info

- Blazing Fast Fittings are covered by a one year limited warranty.
- Blazing Fast Fittings are for use on all Manufacturers' NSF #80, #100, or #160 Poly Pipe. Blazing Products does not warranty Fast Fittings used on Non-NSF Pipe.
- Blazing Fast Fittings are guaranteed for pressures up to the rating of the pipe. ex. 100 PSI on #100 pipe.
- **DO NOT** use on Main Lines without a master valve. Blazing Fast Fittings are for lateral lines only unless a master valve is used.
- **DO NOT** use pipe dope or other sealants on Blazing Fast Fittings. Blazing Products recommends using only Teflon Tape on threaded connections.
- **DO NOT** use torches to warm the pipe when using Blazing Fast Fittings. Heating the pipe can cause irregularities in the pipe and can cause brittleness over time.
- **DO NOT** use Blazing Fast Fittings in conjunction with compressed air or gasses.
- **DO NOT** use any grease, oil, or solvent to lubricate Blazing Fast Fittings.

Eco-Friendly

Blazing Fast Fittings are made of high impact ABS and contain no metal or chloride like other fittings on the market, making them the most eco-friendly fittings on the market.



Blazing Fast Fittings™

Clampless™

Installation Information

Recommendations for Installers and Users:

Blazing Fast Fittings should be used on systems that are engineered, installed, and operated in accordance with established design and engineering standards and procedures for polyethylene piping systems. Installers are responsible for determining the suitability of using Blazing Fast Fittings in the selected polyethylene piping system prior to installation. Before installing, all Blazing Fast Fittings and polyethylene pipe should be inspected for damage or irregularities. All Blazing Fast Fittings must have two black o-rings (or one green O-ring outside and one black O-ring inside) and one green lock ring per Fitting end. Check to assure that tolerances of the polyethylene pipe and Blazing Fast Fittings are compatible. Do not use any Blazing Fast Fittings or poly pipe that appear irregular or do not fit properly. Consult all applicable codes and regulations for compliance prior to installation. Blazing Fast Fittings can be used on all NSF polyethylene pipe.

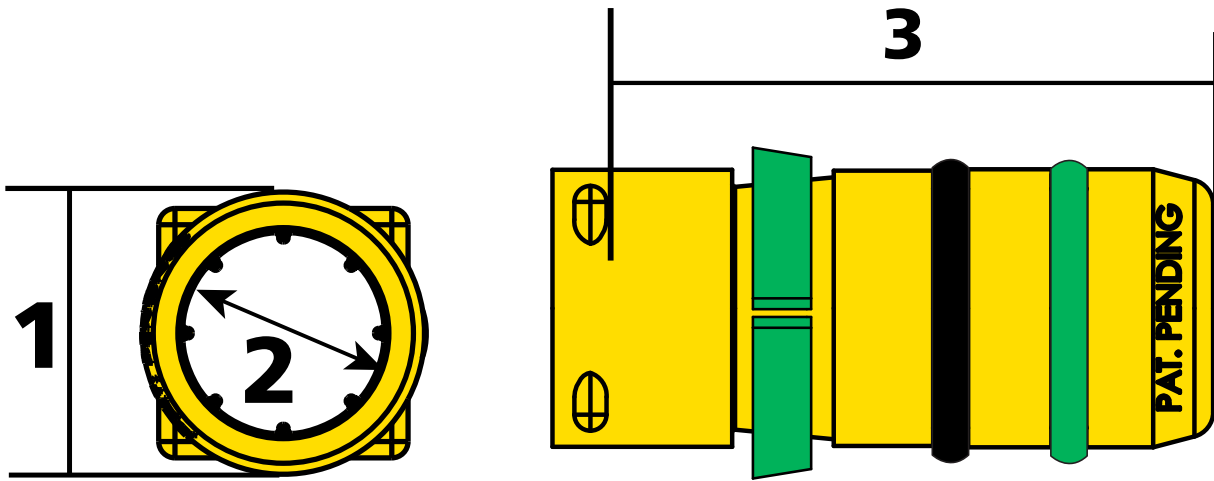
THREADED CONNECTIONS - WARNING: SOME PIPE JOINT COMPOUNDS OR TEFLON PASTES MAY CONTAIN SUBSTANCES THAT COULD CAUSE STRESS CRACKING OR DETERIORATION TO BLAZING FAST FITTINGS.

Blazing Products only recommends using Teflon Tape for threaded connections. **DO NOT USE** Liquid Teflon or other types of Pipe Dope. 1 to 2 turns beyond finger tight is generally all that is required to make a sound plastic threaded connection. Unnecessary over tightening will cause damage to the polyethylene pipe and Blazing Fast Fittings.

NOT FOR USE WITH COMPRESSED AIR OR GAS

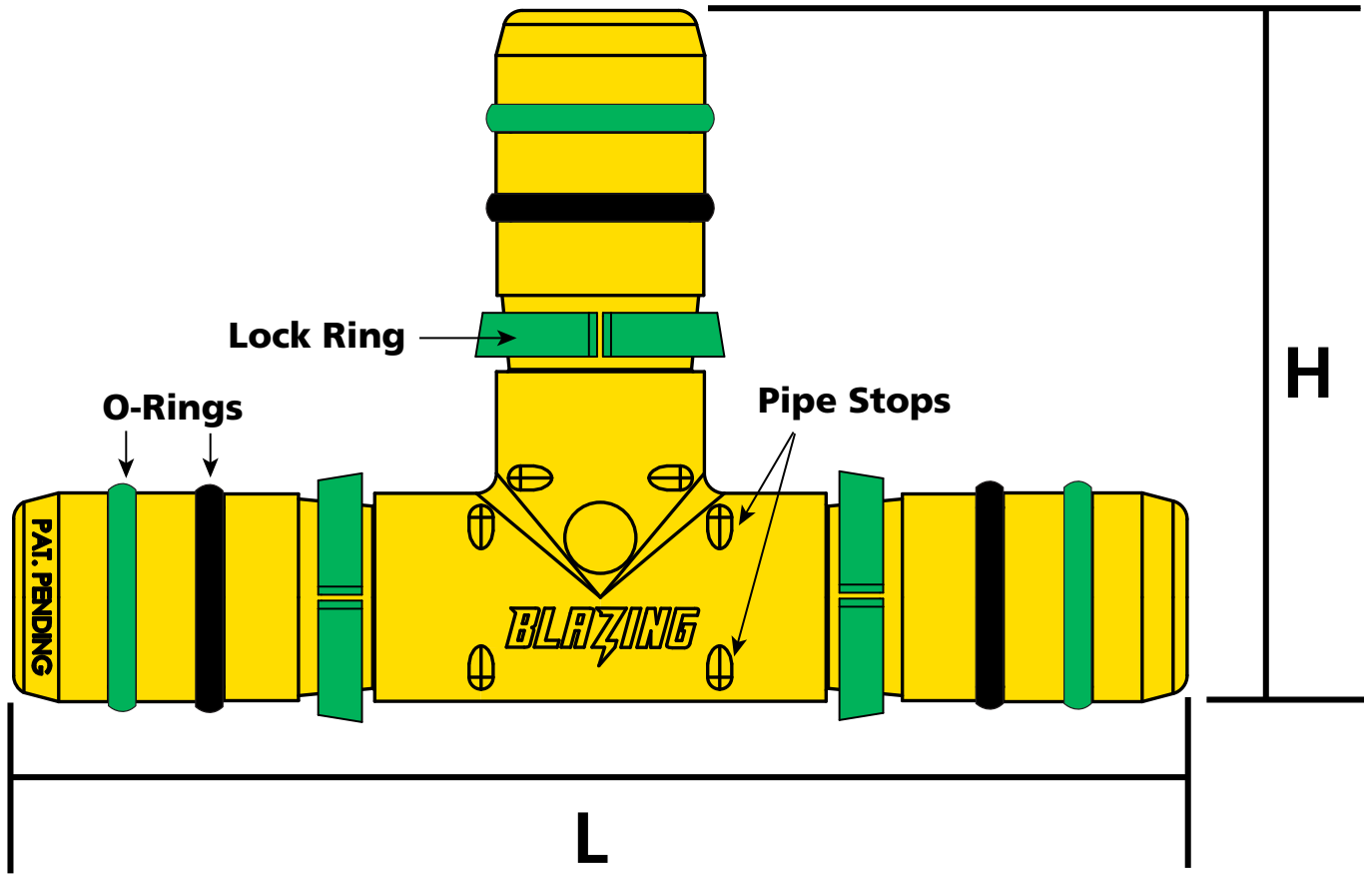
WARNING: DO NOT USE COMPRESSED AIR OR GAS TO TEST BLAZING FAST FITTINGS OR SYSTEMS, AND DO NOT USE DEVICES PROPELLED BY COMPRESSED AIR OR GAS TO CLEAR SYSTEMS. THESE PRACTICES MAY RESULT IN EXPLOSIVE FRAGMENTATION OF POLYETHYLENE SYSTEM PIPING AND BLAZING FAST FITTINGS CAUSING SERIOUS OR FATAL BODILY INJURY.

**Dimensions of Insert Ends
on Fast Fittings**



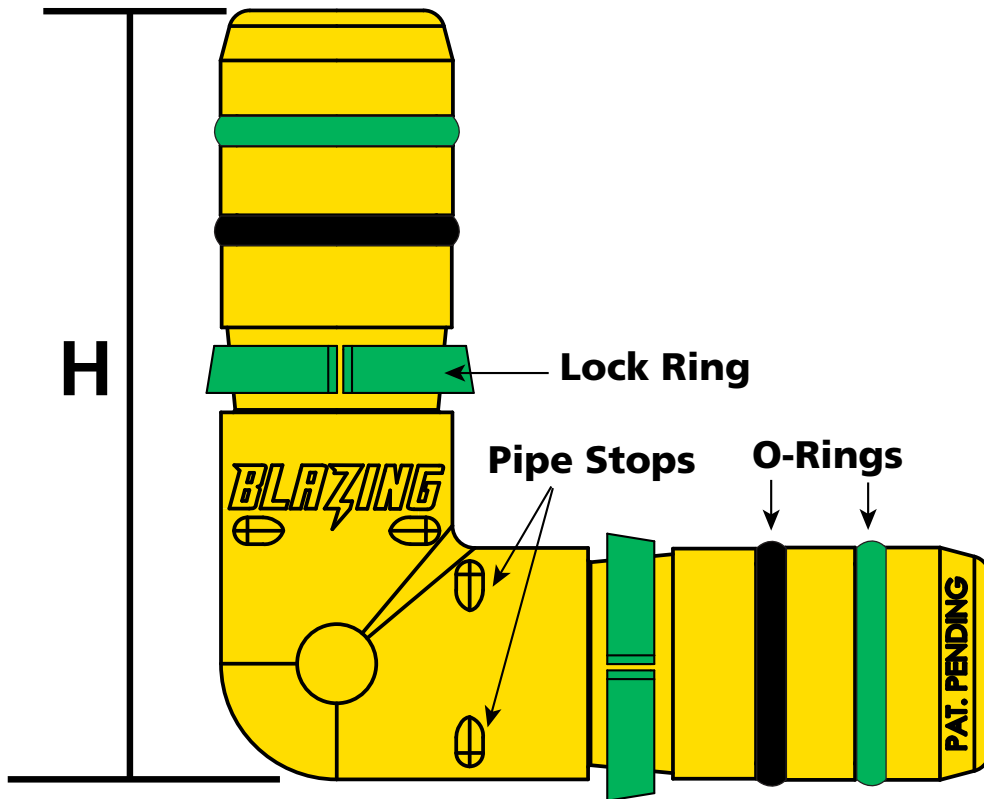
Pipe Size	Outside Diameter O.D. 1	Inside Diameter I.D. 2	Length from end to pipe stops 3
3/4"	.82 Inches (20.70 mm)	.56 Inches (14.86 mm)	1.98 Inches (50.29 mm)
1"	1.04 Inches (26.42 mm)	.785 Inches (19.43 mm)	2.27 Inches (57.65 mm)

Standard Tee
Insert x Insert x Insert



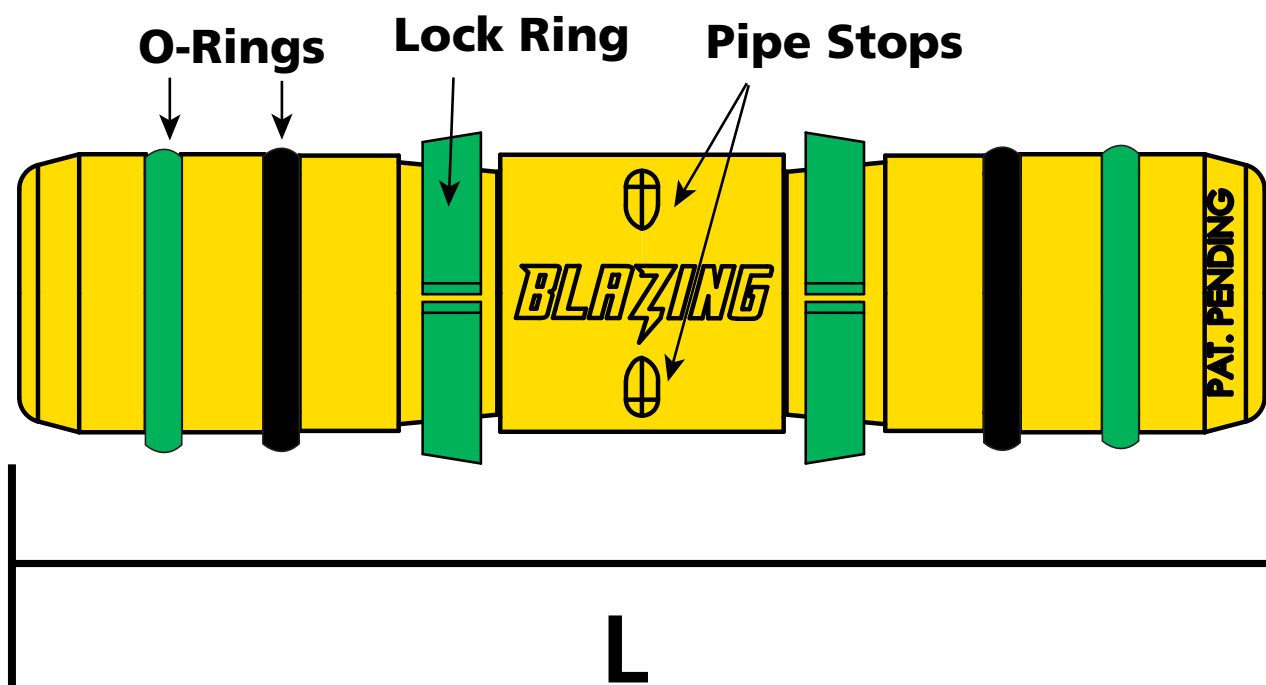
Size	Part Number	Length L	Height H
1" x 1" x 1"	BLZ 1401-010	5.85 Inches (148.51 mm)	3.37 Inches (85.6 mm)

**Standard 90° Elbow
Insert x Insert**



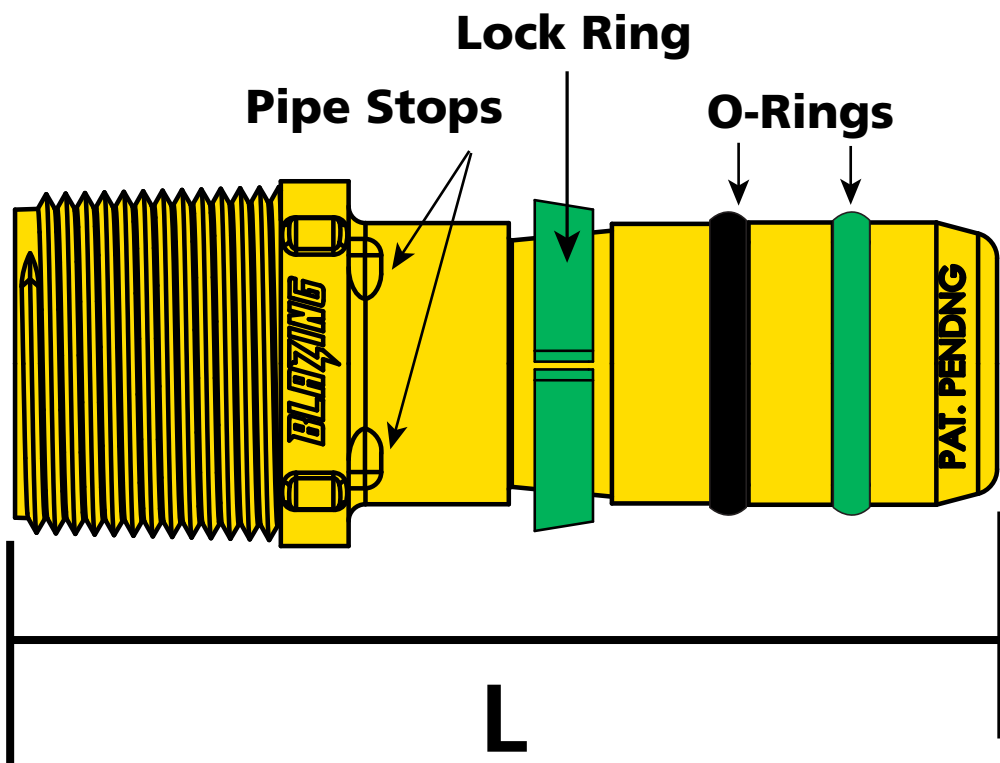
Size	Part Number	Height H
1" x 1"	BLZ 1406-010	3.43 Inches (87.122 mm)

**Standard Coupler
Insert x Insert**



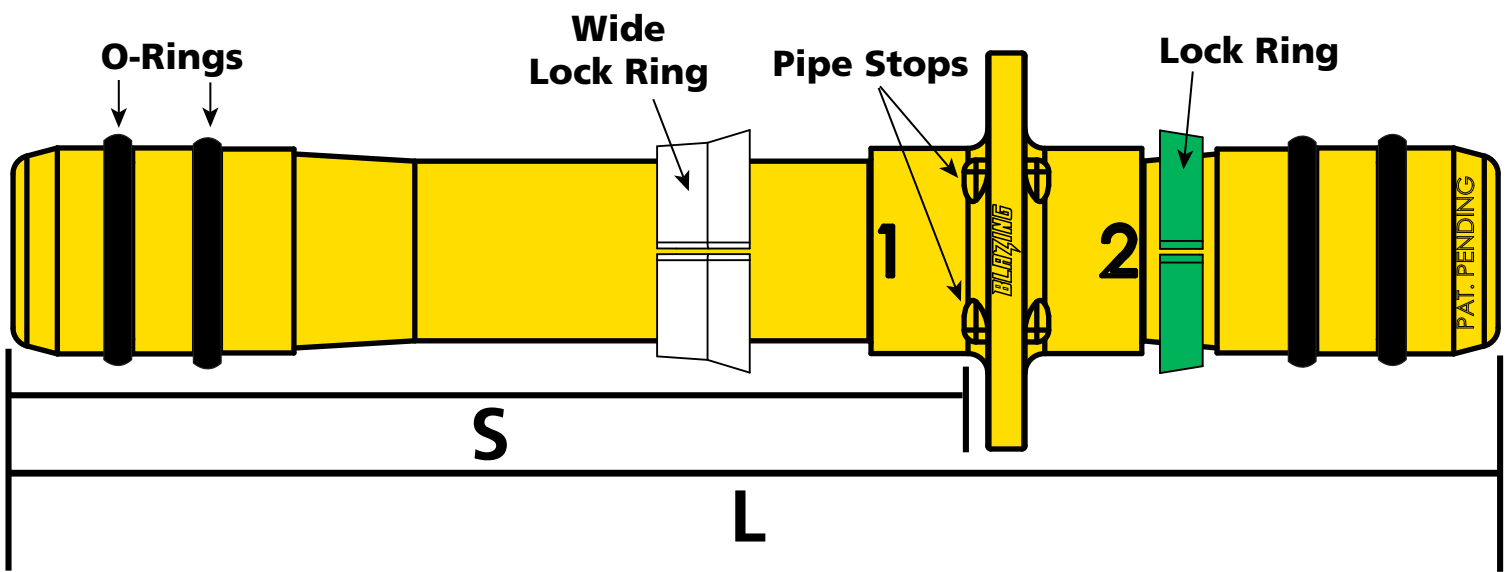
Size	Part Number	Length L
1" x 1"	BLZ 1429-010	4.567 Inches (116 mm)

**Standard Male Adapter
Insert x MPT**



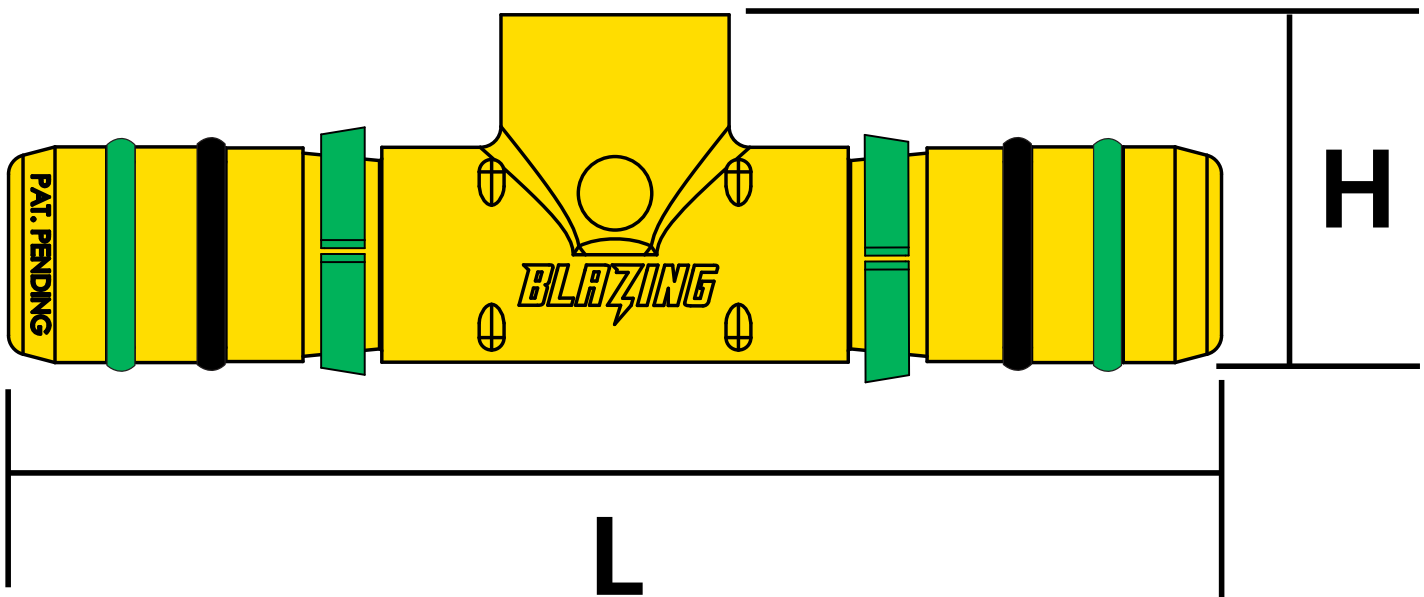
Size	Part Number	Length L
1" x 1" MPT	BLZ 1436-010	3.62 Inches (91.948 mm)

**Poly Stretch Coupler
Insert x Insert**



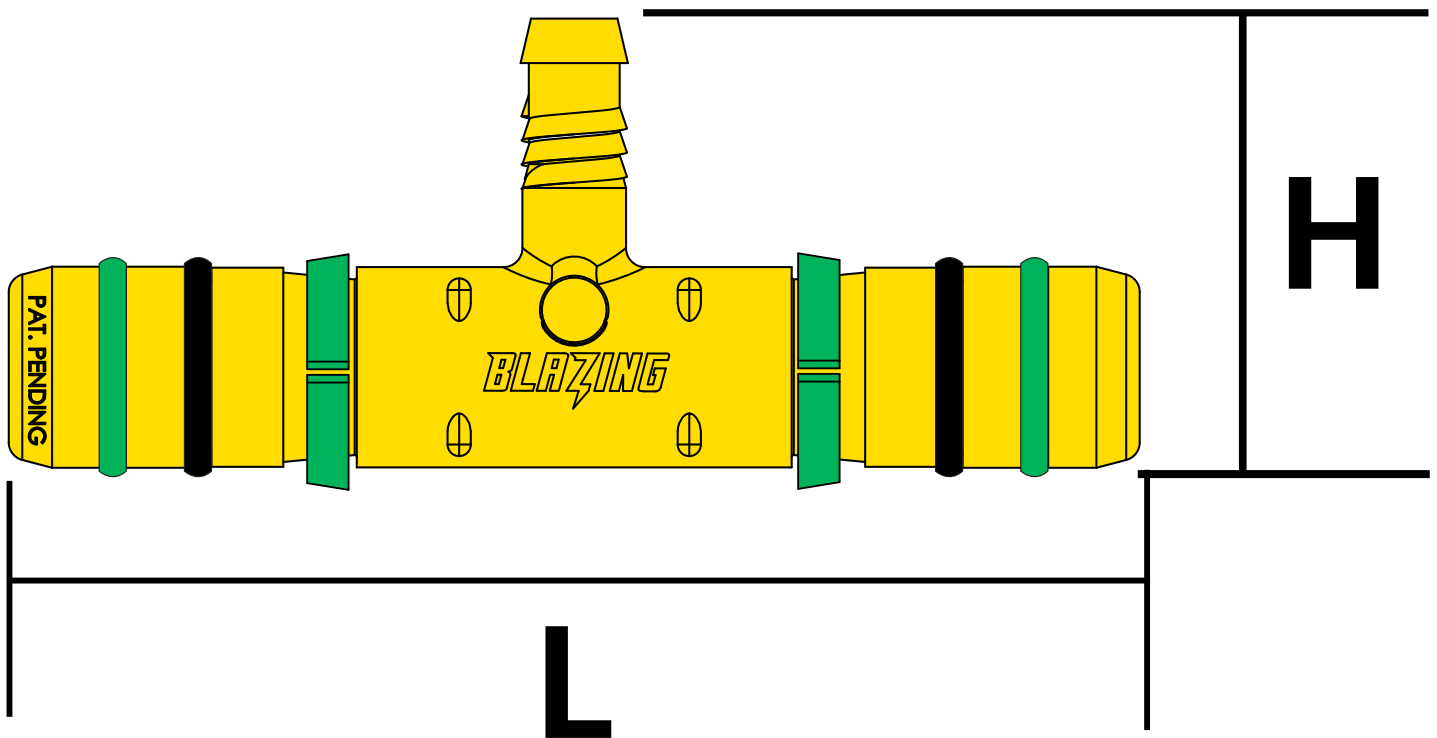
Size	Part Number	Length L	Pipe stops to end S
1" x 1"	BLZ PSC-010	7.5 Inches (190.5 mm)	4.8 Inches (121.92 mm)

Combo Tee
Insert x Insert x 1/2" FPT



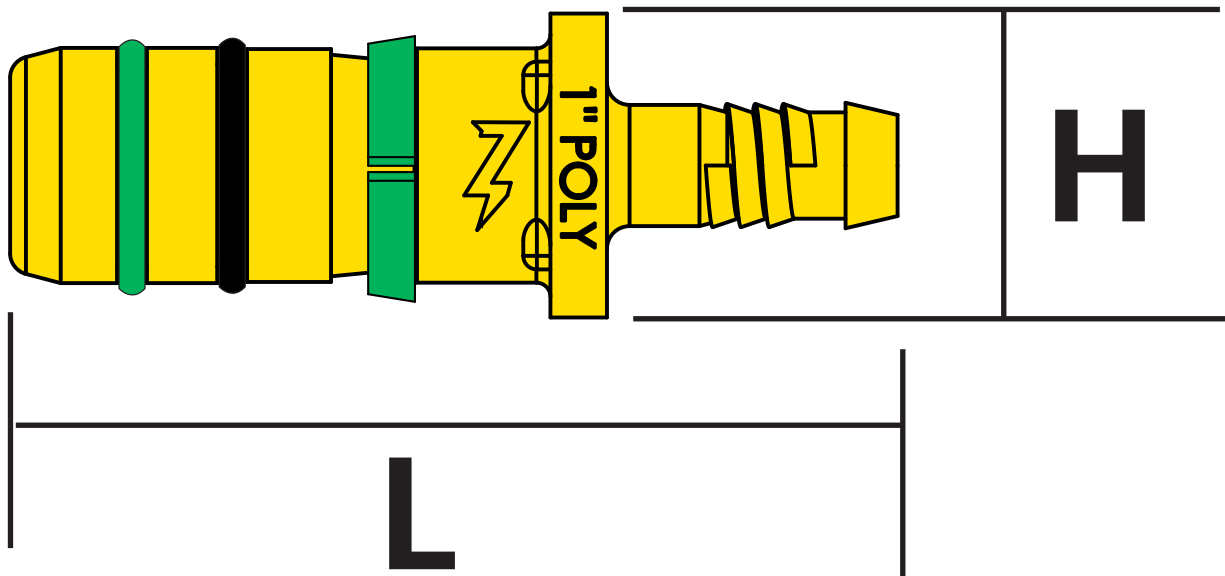
Size	Part Number	Length L	Height H
1" x 1" x 1/2" FPT	BLZ 1402-130	5.85 Inches (148.55 mm)	1.68 Inches (42.55 mm)

Combo Tee
Insert x Insert x Swing Pipe Barb



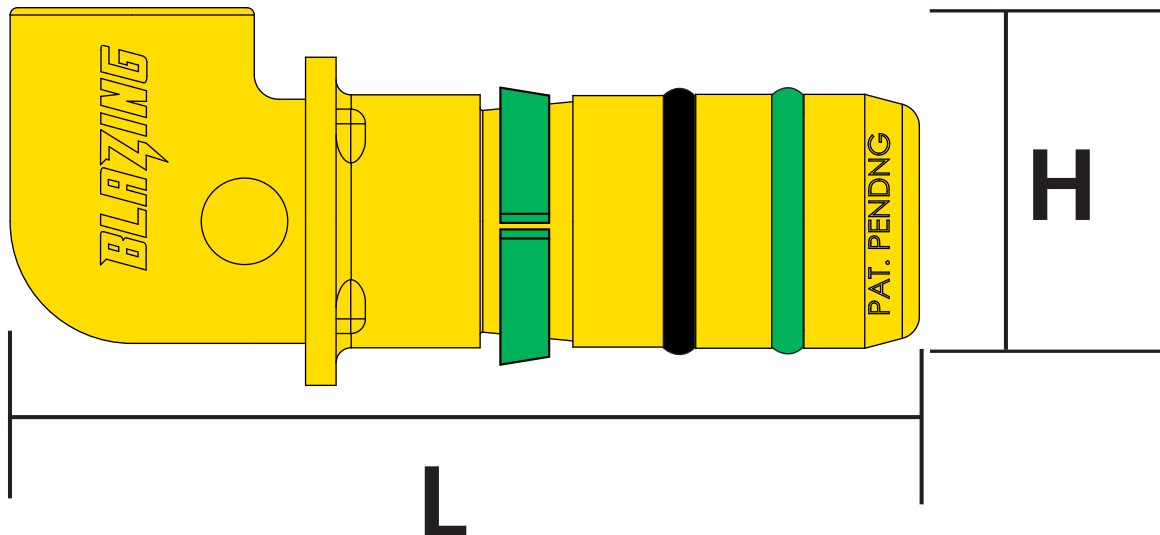
Size	Part Number	Length L	Height H
1" x 1" x Swing	BLZ 1401-129	5.85 Inches (148.55 mm)	1.68 Inches (42.55 mm)

**End of Line Straight
Insert x Swing Pipe Barb**



Size	Part Number	Length L	Height H
3/4" x Swing	BLZ 1429-099	3.63 Inches (92.22 mm)	1.33 Inches (33.97 mm)
1" x Swing	BLZ 1429-129	5.85 Inches (148.55 mm)	1.68 Inches (42.55 mm)

**End of Line Elbow
Insert x 1/2" FPT Elbow**



Size	Part Number	Length L	Height H
1" x 1/2" FPT	BLZ 1407-130	5.85 Inches (148.55 mm)	1.68 Inches (42.55 mm)