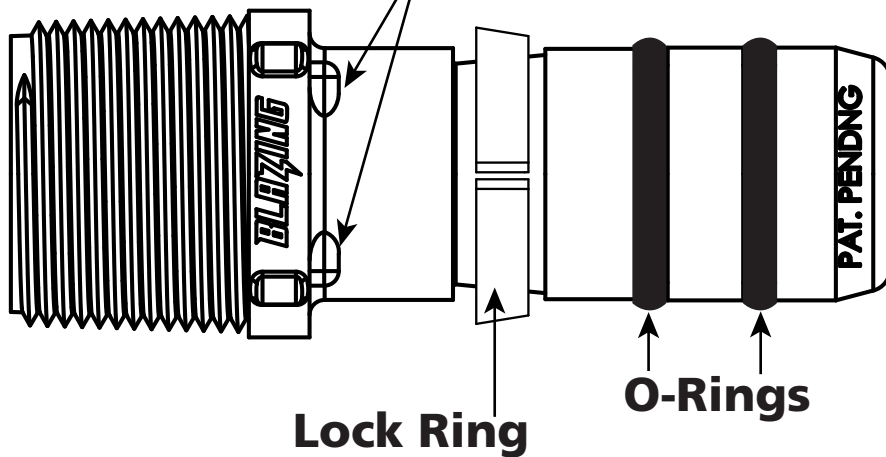
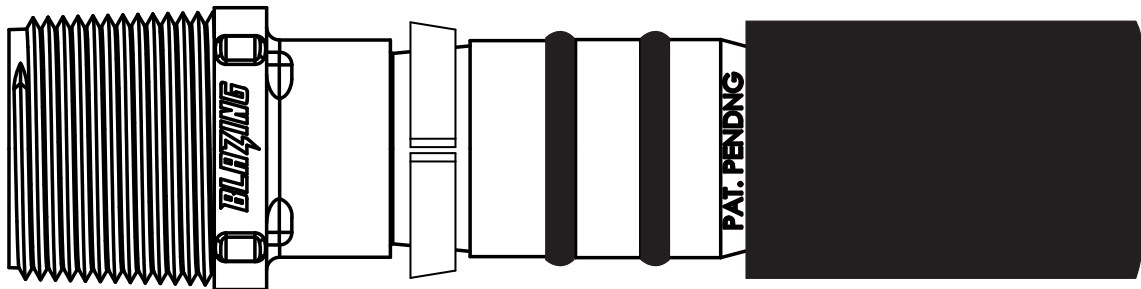


**Pipe Stops**

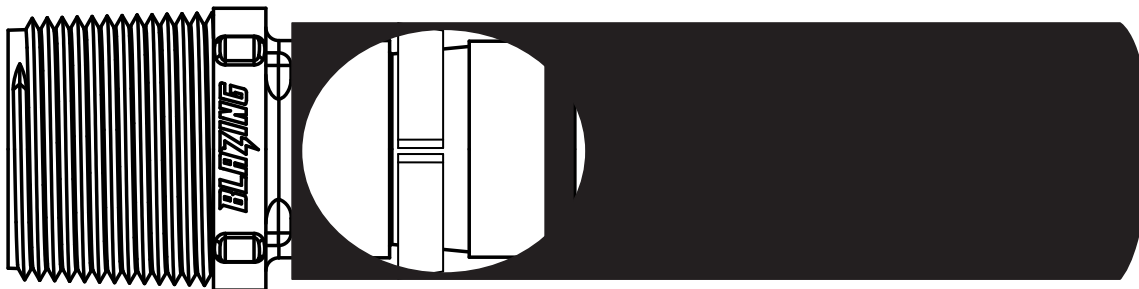


**Lock Ring**

**O-Rings**

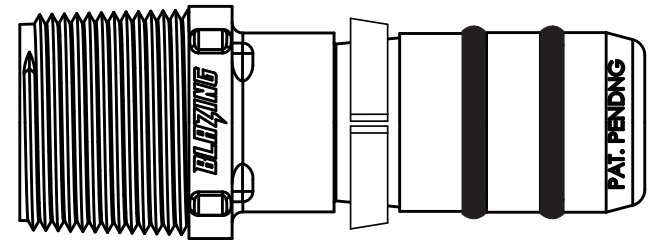


**Push Pipe onto Male Adapter. Push pipe over the O-Rings and the Lock Ring. Push pipe all the way to the Pipe Stops. Thread fitting into 1/2" female threaded opening.**



# BLZ 1436-010

## 1" Poly Adapter by 1/2" MPT



- For use on 1" 80# or 100# NSF polyethylene pipe
- 1/2" Male Pipe Thread
- Over 400 PSI without a leak. Pipe will burst first.
- Withstands repeated freeze/thaw cycles and ground shift & sheering
- Made of high grade ABS material
- Reuseable if ALL O-Rings and Lock Rings are replaced.

### Dimensions:

- 1. Outer Diameter:** 26.42 mm (1.04 inches)
- 2. Interior Diameter:** 19.43 mm (.765 inches)
- 3. Length:** 91.948 mm (3.62 inches)
- 4. End To Pipe Stops:** 57.65 mm (2.27 inches)

