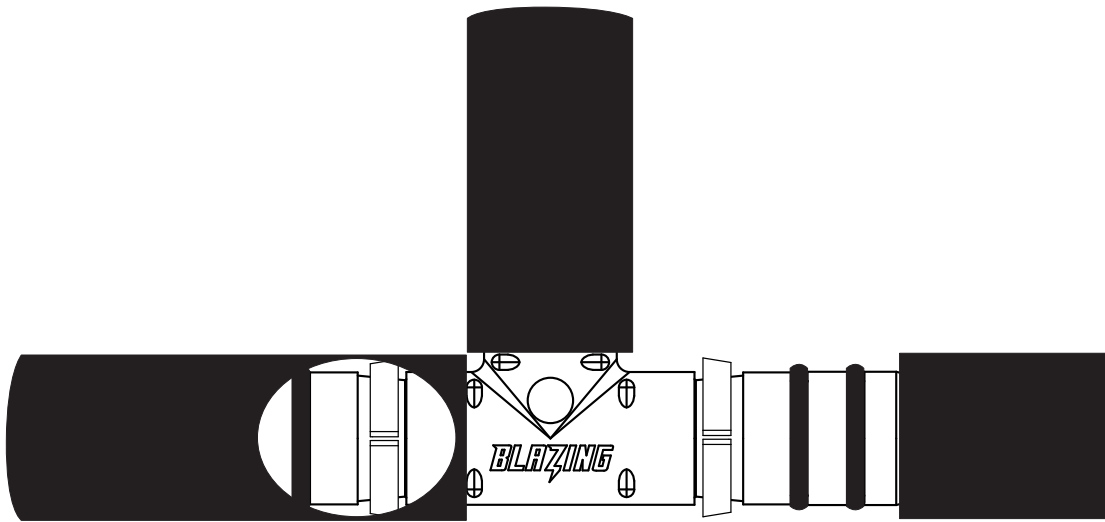
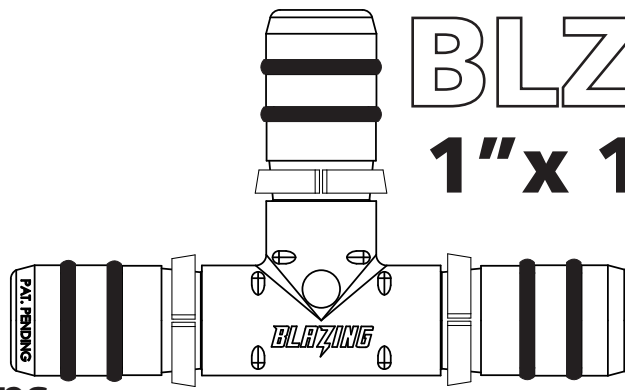
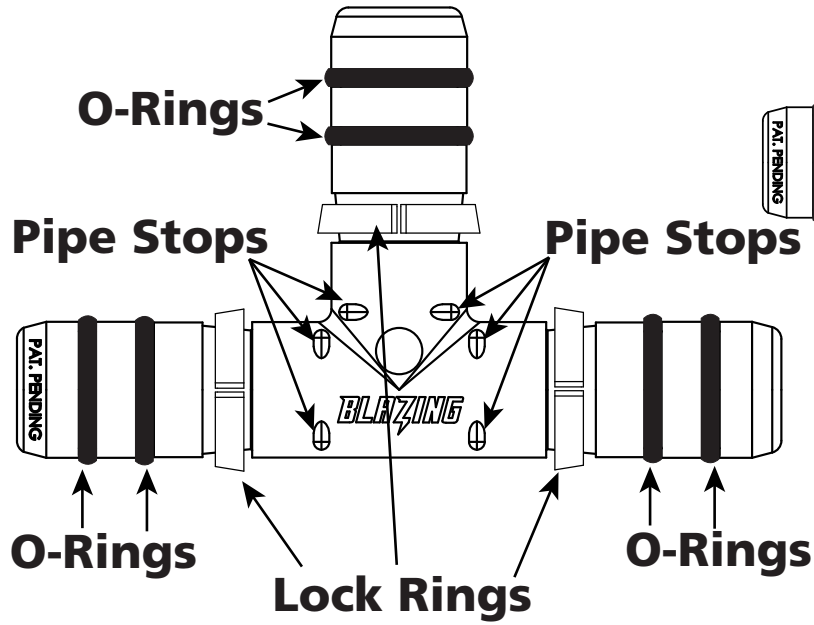


BLZ 1401-010

1" x 1" x 1" Poly Tee



Push Pipe onto Tee. Push pipe over the O-Rings and the Lock Ring. Push pipe all the way to the Pipe Stops. Repeat on other two-sides.

- For use on 1" 80# or 100# NSF polyethylene pipe
- Over 400 PSI without a leak. Pipe will burst first.
- Withstands repeated freeze/thaw cycles and ground shift & shearing
- Made of high grade ABS material
- Reuseable if ALL O-Rings and Lock Rings are replaced.

Dimensions:

- 1. Outer Diameter:** 26.42 mm (1.04 inches)
- 2. Interior Diameter:** 19.43 mm (.765 inches)
- 3. Length (end to end):** 148.51 mm (5.85 inches)
- 4. Length (short end to end):** 85.6 mm (3.37 inches)
- 5. End To Pipe Stops:** 57.65 mm (2.27 inches)

